

**ROLLED MESH
GALVANIZED**

Rolled mesh consists of zinc coated double twisted steel woven wire mesh manufactured in accordance with ASTM A975. The steel wire used in the manufacture of the mesh is heavily zinc coated soft temper steel. The standard specifications for the wire-mesh are shown in Tables 2, 3, 4.

Rolled Mesh is used for a wide variety of civil applications. It is used in conjunction with other double twisted wire mesh products such as gabions, mattresses, etc. or it is used alone for rockfall applications, repair work, etc. Rolled Mesh is supplied at standard lengths and can be cut to fit on site.

Wire

All tests on wire must be performed prior to manufacturing the mesh. All wire should comply with ASTM A975, style 1 coating and galvanized. Wire used for the manufacture of Rolled Mesh and the lacing wire, shall have a maximum tensile strength of 75,000 psi (515 MPa) as per ASTM A641/A641M, soft temper steel.

Woven Wire Mesh Type 6x8 and 8x10

The mesh and wire characteristics shall be in accordance with ASTM A975. The minimum mesh properties for strength and flexibility should be in accordance with the following:

Mesh Type	D (mm)	Mesh Tensile Strength (kN/m)	Mesh Connection to Selvedge (kN/m)	Punch Test (kN)
6x8	64	2300	10.2	17.8
8x10	83	51.1	20.4	26.7

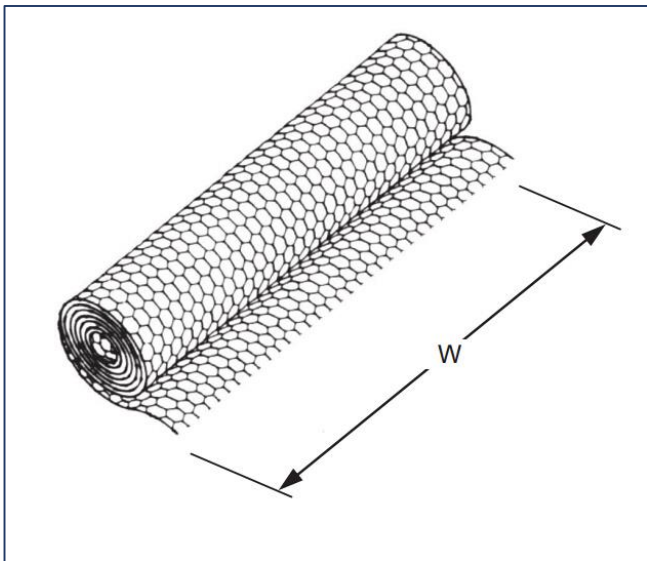


Figure 1

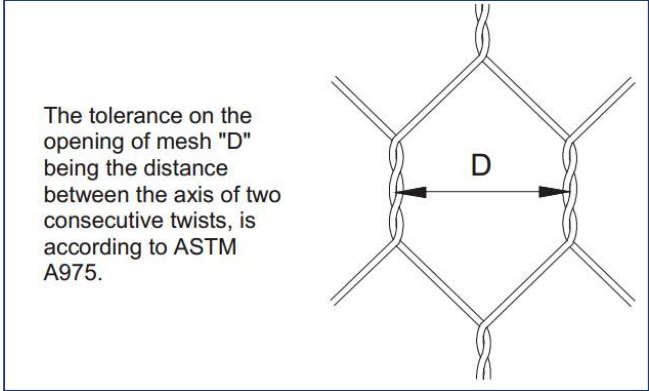


Figure 2



Figure 3 - Example of Rolled Mesh



Figure 4 - Example of Rolled Mesh

ZHUODA GABION

Table 1 - Sizes for Mesh

L (m)	W (m)
50	2

All sizes and dimensions are nominal. Tolerances of +/- 1 % of the length, and 5% of the width shall be permitted.

Table 2-Standard Mesh Wire

Mesh Type	D (mm)	Mesh Tolerance	Mesh Wire (mm)
6x8	64	±10%	2.20
8x10	83	±10%	3.00

Lacing Operations

Lacing operations are made by using lacing wire specified in Table 3 and described in Figure 5. Galvanized steel ring fasteners (Figure 6), using the appropriate tools shown in Figure 7 for connection, can be used instead of, or to complement lacing wire.

Galvanized steel rings for galvanized mesh shall be in accordance with ASTM A975 section 6.3. Spacing of the rings shall be in accordance with ASTM A975 Table 2, Panel to Panel connection, Pull-Apart Resistance. In any case, ring fasteners spacing shall not exceed 6 in. (150 mm) (Figure 5). Ring diameter: 0.118 in. (3.00 mm). The maximum spacing of the fasteners is determined by ASTM.

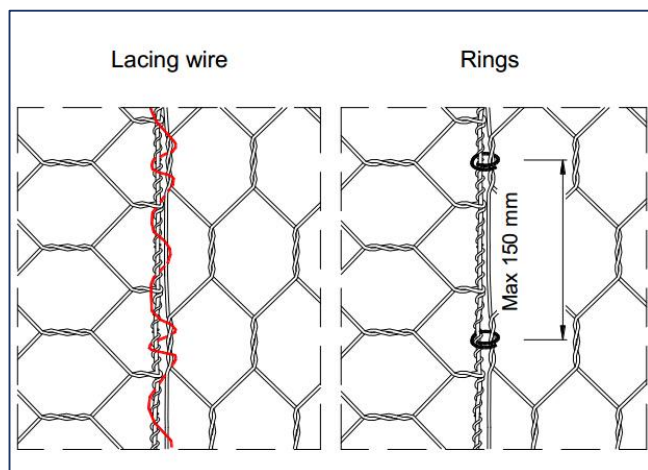


Figure 5

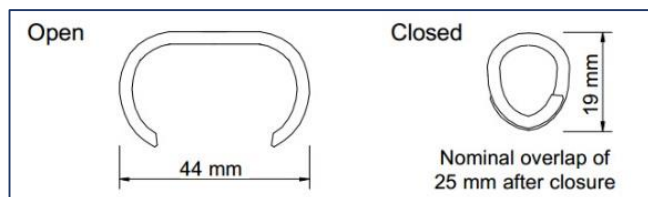


Figure 6

Table 3-Standard Wire Diameters

Mesh Type	Mesh Wire (mm)	Selvedge Wire (mm)	Lacing Wire (mm)
6x8	2.20	2.70	2.20
8x10	3.00	3.90	2.20

Table 4-Wire Tolerances and Coating

Wire Diameter ø mm	2.20	2.70	3.00	3.90
Wire Tolerance (±) ø mm	0.10	0.10	0.10	0.10
Min. Qty of Zinc gr/m2	214	244	259	275



Figure 7

Anping County Zhuoda Hardware Mesh Co., Ltd.

Kehulin Industrial Park, Anping County, Hebei 053600, China

Tel: +86-311-67795238/89902855 Fax: +86-311-67795238

Email: sales@zhuoda-gabion.com

Website: www.zhuoda-gabion.com

